



HAYES LEMMERZ[®]
INTERNATIONAL, INC.
WE KEEP THE WORLD ROLLING[™]



LEVYPYÖRÄHINNASTO 1.7.2010



Bridgestone Finland Oy





Auto ja tyyppi	Vanne- koko	Kiinnitysreiät/ Reikäpiiri/Offset/ Keskireikä	Hinta Euro (Alv 0%)	Hinta Euro (Alv 23%)	Valm. tunnus	Tilau- numero
----------------	----------------	---	---------------------------	----------------------------	-----------------	------------------

ALFA ROMEO

147	1.01-	6½Jx15	5/98/41.5/58	84,55	104,00	9440	404797
156 2.5 V6 24V	10.97-	6½Jx15	5/98/41.5/58	84,55	104,00	9440	404797
159/159 Sport Wagon	9.05-	7Jx16	5/110/34/65	98,37	121,00	8215	430184

AUDI

A3/Sportback	5.03-	6Jx16	5/112/50/57	75,61	93,00	9535	421237
A3/Sportback	5.03-	6½Jx16	5/112/50/57	79,67	98,00	9915	420419
A3	9.96-4.03	6Jx15	5/100/38/57	70,73	87,00	8380	404773
A4	11.07-	7Jx16	5/112/39/66.5	85,37	105,00	9537	439186
A4 / A6	6.94-12.00	6Jx15	5/112/45/57	71,54	88,00	8860	404850
100	1.91-6.94	6Jx15	5/112/45/57	71,54	88,00	8860	404850

BMW

1-sarja 116-120 (E81-E88)	9.04-	6½Jx16	5/120/42/72.5	88,62	109,00	9153	442880
1-sarja 120-125 (E81-E88)	11.07-	7Jx16	5/120/44/72.5	88,62	109,00	9577	439187
3-sarja 316-325 (E90-E91)	10.07-	7Jx16	5/120/31/72,5	91,87	113,00	9557	443562
3-sarja 316-325 (E90)	3.05-9.07	7Jx16	5/120/34/72,5	91,87	113,00	8345	429197
3-sarja 316i-323i (E46)	4.98-3.07	6½Jx15	5/120/42/72.5	73,98	91,00	9400	404794
5-sarja 520i-525i (E60)	8.03-	7Jx16	5/120/20/72.5	96,75	119,00	9970	421240

CHEVROLET (DAEWOO)

Spark	1.10-	4½Jx13	4/100/45/56.6	57,72	71,00	3085	451356
Kalos	9.02-	5½Jx14	4/100/45/56.5	76,42	94,00	6565	421285
Cruze 1.6/1.8 (Bensa)	5.09-	6½Jx16	5/105/39/56.6	82,93	102,00	9247	448766
Cruze 2.0D (Diesel)	5.09-	6½Jx16	5/115/41/70.3	82,93	102,00	9327	448767
Aveo (15" ei saatavana)	2.06-	5½Jx14	4/100/45/56.5	76,42	94,00	6565	421285
Nubira	7.03-	6Jx15	4/114.3/44/56.5	86,18	106,00	7985	423377
Lacetti	4.04-	6Jx15	4/114.3/44/56.5	86,18	106,00	7985	423377
Captiva	6.06-	6½Jx16	5/115/46/70.3	118,70	146,00	7885	433934

CHRYSLER

Voyager	4.01-	6½Jx16	5/114.3/40/71.5	117,89	145,00	9605	412285
Voyager / Grand Voyager	10.95-3.01	6½Jx15	5/114.3/40/71.5	112,20	138,00	9390	404793





Auto ja tyyppi	Vanne- koko	Kiinnitysreiät/ Reikäpiiri/Offset/ Keskireikä	Hinta Euro (Alv 0%)	Hinta Euro (Alv 23%)	Valm. tunnus	Tilaus- numero
----------------	----------------	---	---------------------------	----------------------------	-----------------	-------------------

CITROËN

C1	6.05-	4½Jx14	4/100/39/54	63,41	78,00	4940	429229
C2 11.03- / C3	4.02-11.09	5½Jx14	4/108/24/65	59,35	73,00	6215	415655
C2 11.03- / C3	4.02-11.09	6Jx15	4/108/27/65	73,17	90,00	8690	412289
C3 II	12.09-	6Jx15	4/108/23/65	70,73	87,00	8055	433930
C3 Picasso	10.08-	6Jx16	4/108/23/65	83,74	103,00	9493	448709
Xsara Picasso	02.00-	6Jx15	4/108/18/65	73,17	90,00	8475	412287
Xsara	10.00-10.04	6Jx15	4/108/18/65	73,17	90,00	8470	404778
Xsara	1.98-9.00	5½Jx14	4/108/24/65	60,98	75,00	6070	404721
C4 1.4	10.04-	6Jx15	4/108/27/65	73,17	90,00	8690	412289
C4 1.6/2.0	10.04-	6½Jx16	4/108/26/65	85,37	105,00	8565	429198
C4 Picasso / Grand Picasso	10.06-	6½Jx16	4/108/26/65	84,55	104,00	7860	433813
C5	6.08-	7Jx16	5/108/32/65	86,99	107,00	9277	443513
C5	7.04-5.08	6½Jx16	4/108/26/65	85,37	105,00	8565	429198
C5	4.01-6.04	6Jx15	4/108/18/65	73,17	90,00	8470	404778
C6	1.06-	7Jx17	5/108/32/65	108,13	133,00	8255	433812
Nemo	3.08-	5½Jx14	4/98/44/58	63,41	78,00	6805	442882
Nemo	3.08-	6Jx15	4/98/44/58	73,17	90,00	7680	439190
Berlingo II	7.08-	6½Jx15	4/108/27/65	82,93	102,00	8477	438642
Berlingo II	7.08-	6½Jx16	4/108/26/65	84,55	104,00	7860	433813
Berlingo I	1.97-	5½Jx14	4/108/24/65	65,04	80,00	6395	404730
Berlingo I	4.03-	6Jx15	4/108/18/65	73,17	90,00	8475	412287
C8	9.02-	6½Jx15	5/98/27/58	92,68	114,00	9375	416125
C-Crosser	7.07-	6½Jx16	5/114.3/38/67	99,19	122,00	9407	438685
Jumpy II	2.07-	6½Jx15	5/108/38/65	92,68	114,00	7670	439070
Jumpy II	2.07-	7Jx16	5/108/42/65	99,19	122,00	7780	439071
Jumpy	1.04-1.07	6½Jx15	5/98/31/58	92,68	114,00	9385	421241
Jumper 30-33 (max akselik. 1900kg 215/70R15)	10.06-	6Jx15	5/118/68/71.1	89,43	110,00	8875	404858
Jumper 30-35 (max akselik. 2000kg 225/70R15)	10.06-	6Jx15	5/118/68/71.1	96,75	119,00	8775	413741
Jumper 40	10.06-	6Jx16	5/130/68/78.1	111,38	137,00	9601	439069
Jumper 27,29,33	95-9.06	6Jx15	5/118/68/71.1	89,43	110,00	8875	404858
Jumper 35	95-9.06	6Jx16	5/130/68/78.1	117,89	145,00	9600	404857

DACIA

Logan / MCV / Sandero		6Jx15	4/100/50/60	78,05	96,00	7635	448527
Duster	1.10-	6½Jx16	5/114.3/50/66	87,80	108,00	8873	451298

DODGE

Caliber	6.06-	6½Jx17	5/114.3/39/67	115,45	142,00	7840	439188
---------	-------	--------	---------------	--------	---------------	------	---------------

Kaikki KFZ-levypyörät ovat TÜV-hyväksytyjä (toimitamme tarvittaessa hyväksymistodistuksen)

3





Auto ja tyyppi		Vanne- koko	Kiinnitysreiät/ Reikäpiiri/Offset/ Keskireikä	Hinta Euro (Alv 0%)	Hinta Euro (Alv 23%)	Valm. tunnus	Tilaus- numero
----------------	--	----------------	---	---------------------------	----------------------------	-----------------	-------------------

FIAT

Panda	9.03-	5.00Bx13	4/98/35/58	56,10	69,00	4450	425259
Panda 4x4	5.05-	5½Jx14	4/98/35/58	61,79	76,00	6165	404725
Sedici 4x4	5.06-	6Jx16	5/114.3/50/60	85,37	105,00	8315	433932
Punto	12.99-	5.00Bx13	4/98/35/58	56,10	69,00	4180	404698
Punto	12.99-	5½Jx14	4/98/35/58	61,79	76,00	6165	404725
Grande Punto	9.05-	6Jx15	4/100/43/56.5	69,92	86,00	7915	439189
Linea	7.07-	6Jx15	4/98/44/58	73,17	90,00	7680	439190
Stilo	11.01-5.08	6½Jx15	4/98/43/58	73,98	91,00	8085	415534
Bravo	4.07-	6Jx15	4/98/31.5/58	73,17	90,00	7835	439068
Bravo	4.07-	7Jx16	4/98/31/58	95,93	118,00	9087	443565
Fiorino	2.08-	5½Jx14	4/98/44/58	63,41	78,00	6805	442882
Fiorino	2.08-	6Jx15	4/98/44/58	73,17	90,00	7680	439190
Doplo	9.05-	5½Jx15	4/98/32/58	78,86	97,00	6815	433814
Scudo II	1.07-	6½Jx15	5/108/38/65	92,68	114,00	7670	439070
Scudo II	1.07-	7Jx16	5/108/42/65	99,19	122,00	7780	439071
Scudo	2.04-12.06	6½Jx15	5/98/31/58	92,68	114,00	9385	421241
Ulysse	7.02-	6½Jx15	5/98/27/58	92,68	114,00	9375	416125
Ducato 11-15 (max akselik. 1900kg 215/70R15)	10.06-	6Jx15	5/118/68/71.1	89,43	110,00	8875	404858
Ducato 11-17 (max akselik. 2000kg 225/70R15)	10.06-	6Jx15	5/118/68/71.1	96,75	119,00	8775	413741
Ducato Maxi 20	10.06-	6Jx16	5/130/68/78.1	111,38	137,00	9601	439069
Ducato 10-11 / 14-15	95-9.06	6Jx15	5/118/68/71.1	89,43	110,00	8875	404858
Ducato Maxi 14 / 18	95-9.06	6Jx16	5/130/68/78.1	117,89	145,00	9600	404857

FORD

KA	1.09-	5½Jx14	4/98/35/58	61,79	76,00	6315	443537
KA	6.97-12.08	5Jx13	4/108/36/63.3	53,66	66,00	3890	404823
Fiesta V	10.08-	5½Jx14	4/108/37.5/63.3	56,91	70,00	6355	442883
Fiesta V	10.08-	6Jx15	4/108/47.5/63.3	69,11	85,00	7255	442884
Fiesta IV	2.02-9.08	5½Jx14	4/108/47.5/63.3	62,60	77,00	6275	415656
Fiesta IV	2.02-9.08	6Jx15	4/108/52.5/63.3	69,11	85,00	8200	404767
Escort / Orion	10.90-10.98	6Jx14	4/108/41/63.3	70,73	87,00	6865	404831
Focus II 10.04- / C-Max 9.03-		6Jx15	5/108/52.5/63.3	63,41	78,00	8795	421289
Focus II / C-Max	3.07-	6½Jx16	5/108/50/63.3	79,67	98,00	8325	439072
Focus II 10.04- / C-Max 9.03-		6½Jx16	5/108/52.5/63.3	82,93	102,00	9975	421290
Focus	11.98-9.04	5½Jx14	4/108/47.5/63.3	60,98	75,00	6880	404738
Focus	11.98-9.04	6Jx15	4/108/52.5/63.3	69,11	85,00	8200	404767
Fusion	8.02-	5½Jx14	4/108/47.5/63.3	62,60	77,00	6275	415656
Fusion	8.02-	6Jx15	4/108/52.5/63.3	69,11	85,00	8200	404767
Mondeo	5.07-	6½Jx16	5/108/50/63.3	79,67	98,00	8325	439072
Mondeo	12.00-4.07	6½Jx16	5/108/52.5/63.3	82,93	102,00	9975	421290
Mondeo/Scorpio (1.90-12.98)	7.94-12.00	6Jx15	4/108/49/63.3	80,49	99,00	8520	404848





Auto ja tyyppi		Vanne- koko	Kiinnitysreiät/ Reikäpiiri/Offset/ Keskireikä	Hinta Euro (Alv 0%)	Hinta Euro (Alv 23%)	Valm. tunnus	Tilau- numero
Galaxy	5.06-	6½Jx16	5/108/50/63.3	88,62	109,00	8465	433915
Galaxy	7.00-4.06	6Jx16	5/112/53/57	89,43	110,00	9845	412288
S-Max	6.06-	6½Jx16	5/108/50/63.3	88,62	109,00	8465	433915
Kuga	6.08-	6½Jx16	5/108/50/63.3	79,67	98,00	8325	439072
Transit Connect	3.03-	6Jx15	5/108/52.5/63.3	75,61	93,00	8525	420422
Transit 300 (etuveto)	6.06-	5½Jx15	5/160/60/65	92,68	114,00	8505	409117
Transit 350	6.06-	5½Jx16	5/160/56/65	97,56	120,00	9597	424694
Transit 350-430 (takaveto parip.)	6.06-	5Jx16	6/180/108/138.8	109,76	135,00	9037	433917
Transit FT300 (etuveto)	1.01-5.06	5½Jx15	5/160/60/65	92,68	114,00	8505	409117
Transit FT300-350	10.02-5.06	5½Jx16	5/160/56/65	97,56	120,00	9597	424694
Transit FT350-430 (takaveto parip.)	4.00-5.06	5Jx16	6/180/105.5/138.8	110,57	136,00	9465	404876

HONDA

Jazz	11.08-	5½Jx15	4/100/45/56	78,86	97,00	7805	446294
Jazz	3.04-10.08	5½J14	4/100/45/56	73,98	91,00	6885	425331
Insight	4.09-	5½Jx15	4/100/45/56	78,86	97,00	7805	446294
Civic (ei Sedan 4ov.)	1.06-	6½Jx16	5/114.3/55/64	91,87	113,00	8005	433918
Civic 1.4	11.00-12.05	5½Jx14	4/100/45/56	73,98	91,00	5260	411735
Accord	7.08-	6½Jx16	5/114.3/50/64	99,19	122,00	9527	443514

HYUNDAI

Accent	6.06-	5½Jx14	4/100/46/54.1	79,67	98,00	7230	430846
Accent 1.00-6.06 / Getz 9.02-		5Jx14	4/100/46/54.1	78,86	97,00	5220	413774
Coupe	11.01-	6Jx15	5/114.3/46/67	77,24	95,00	9525	416848
Elantra	8.03-12.06	5½Jx15	4/114.3/46/67	83,74	103,00	8195	423383
i20	2.09-	5Jx14	4/100/45/54.1	76,42	94,00	6675	446466
i20 (valm.maa Turkki)	1.10-	5½Jx14	4/100/46/54	76,42	94,00	6625	451299
i30 (auton valm.maa Korea)	9.07-	5½Jx15	5/114.3/47/67	78,86	97,00	7475	440291
i30 (auton valm.maa Tsekki) valm.no TMA	1.09-	5½Jx15	5/114.3/47/67	76,42	94,00	8077	438182
Sonata	3.05-	6½Jx16	5/114.3/46/67	119,51	147,00	8755	425390
Trajet / Santa Fe 2 WD	1.01-	6Jx15	5/114.3/46/67	113,01	139,00	9520	413777
Tucson	7.04-	6½Jx16	5/114.3/46/67	119,51	147,00	8755	425390
ix35	1.10-	6½Jx16	5/114.3/45/67	94,31	116,00	8756	451300
H1	11.07-	6½Jx16	6/139.7/56/92.5	115,45	142,00	9207	443515
H1	5.03-10.07	6Jx15	5/120/41/67	138,21	170,00	8145	421297

IVECO

Daily S	7.99-06	6Jx15	5/118/68/71.1	96,75	119,00	8775	413741
Daily S parip. (185/75R16)	7.99-	5Jx16	6/170/106/130	113,82	140,00	9485	410412

Kaikki KFZ-levypyörät ovat TÜV-hyväksytyjä (toimitamme tarvittaessa hyväksymistodistuksen)

5





Auto ja tyyppi		Vanne- koko	Kiinnitysreiät/ Reikäpiiri/Offset/ Keskireikä	Hinta Euro (Alv 0%)	Hinta Euro (Alv 23%)	Valm. tunnus	Tilau- numero
----------------	--	----------------	---	---------------------------	----------------------------	-----------------	------------------

KIA

Picanto	4.04-	5Jx14	4/100/46/54.1	78,86	97,00	5490	433919
Rio II	1.06-	5½Jx14	4/100/46/54.1	79,67	98,00	7230	430846
Venga	1.10-	6Jx15	5/114.3/48/67	79,67	98,00	6505	451391
Cee'd	2.07-	5½Jx15	5/114.3/47/67	76,42	94,00	8077	438182
Cerato	5.04-	6Jx15	4/114.3/43/67	100,81	124,00	8075	428016
Magentis	9.05-	6½Jx16	5/114.3/46/67	119,51	147,00	8755	425390
Carens	10.06-	6Jx15	5/114.3/41/67	98,37	121,00	7660	439191
Carens	8.02-9.06	6JJx15	4/114.3/45/67	98,37	121,00	8045	428019
Soul	4.09-	6Jx15	5/114.3/44/67	82,93	102,00	7610	448707
Sportage II	12.04-	6½Jx16	5/114.3/46/67	119,51	147,00	8755	425390
Sorento	9.02-	7Jx16	5/139.7/45/95.3	126,02	155,00	9945	428020
Carnival	6.06-	6½Jx16	6/139.7/46/92.5	112,20	138,00	7925	435437
Carnival	10.02-5.06	6JJx15	5/114.3/50/67	102,44	126,00	8865	428021

LANDROVER

Freelander	12.06-	6½Jx16	5/108/50/63.3	88,62	109,00	8465	433915
Freelander	3.98-11.06	5½Jx15	5/114.3/46/64	131,71	162,00	8150	404762

MAZDA

2	10.07-	6Jx15	4/100/45/54	82,93	102,00	7190	439193
2 (1.2,1.4)	4.03-9.07	5½Jx14	4/108/47.5/63.3	62,60	77,00	6275	415656
2 (1.6)	4.03-9.07	6Jx15	4/108/52.5/63.3	69,11	85,00	8200	404767
3	4.09-	6Jx15	5/114.3/50/67	78,86	97,00	7223	446948
3	4.09-	6½Jx16	5/114.3/50/67	90,24	111,00	9223	446949
3	10.03-3.09	6Jx15	5/114.3/52.5/67	79,67	98,00	8535	421291
5	8.05-	6Jx15	5/114.3/52.5/67	82,93	102,00	7975	430040
6	2.08-	6Jx16	5/114.3/50/67	91,06	112,00	9532	442885
6 / 6 Sport	9.02-1.08	6JJx15	5/114.3/50/67	86,18	106,00	8735	415657

MERCEDES-BENZ

A-sarja (W169)	9.04-	6Jx15	5/112/44/66.5	71,54	88,00	8245	425391
A-sarja (W169)	9.04-	6Jx16	5/112/46/66.5	83,74	103,00	8595	425392
B-sarja (W245)	05.05-	6Jx15	5/112/44/66.5	71,54	88,00	8245	425391
B-sarja (W245)	05.05-	6Jx16	5/112/46/66.5	83,74	103,00	8595	425392
C-sarja (W204)	7.07-	6Jx16	5/112/39/66.5	82,93	102,00	8597	438643
C-sarja (W204)	3.07-	7Jx16	5/112/43/66.5	87,80	108,00	9892	438644
C-sarja (W203)	5.00-2.07	6Jx15	5/112/31/66.5	72,36	89,00	8515	409119
C-sarja (W203)	5.00-2.07	6½Jx15	5/112/37/66.5	73,98	91,00	9005	404786
C-sarja (W203) / CLK (W209)	5.00-2.07	7Jx16	5/112/37/66.5	87,80	108,00	9890	409120





Auto ja tyyppi		Vanne- koko	Kiinnitysreiät/ Reikäpiiri/Offset/ Keskireikä	Hinta Euro (Alv 0%)	Hinta Euro (Alv 23%)	Valm. tunnus	Tilau- numero
C180-230 (W202)	9.95- 4.00	6½Jx15	5/112/37/66.5	73,98	91,00	9005	404786
E-sarja 200-300 (W210)	8.95- 3.02	6½Jx15	5/112/37/66.5	73,98	91,00	9005	404786
Vaneo	1.02-12.05	5½Jx15	5/112/42/66.5	78,05	96,00	8235	416131
Vito / Viano	8.03-	6Jx16	5/112/54/66.5	100,81	124,00	9095	421294
Vito / Viano / myös NCV2 / 3.2t 9.08-	8.03-	6½Jx16	5/112/60/66.5	108,13	133,00	9897	443516
Vito	4.96-8.03	5½Jx15	5/112/60/66.5	92,68	114,00	8330	404868
Sprinter II	4.06-	6½Jx16	6/130/62/84	96,75	119,00	9487	433920
Sprinter 208-216 / 308-316	2.00-3.06	6Jx15	5/130/75/84	91,06	112,00	8555	404873
Sprinter 308-314	4.95-2.00	6Jx15	5/130/83/84	93,50	115,00	8445	404872
Sprinter 408-416 / 512	4.95-3.06	5½Jx15	6/205/115/161	120,33	148,00	8360	404870
Sprinter 600 srj.	1.86-3.06	6Jx16	6/205/132/161	157,72	194,00	9471	413780

MITSUBISHI

Colt	9.04-	5½Jx14	4/114.3/46/67	72,36	89,00	6670	425316
Colt	9.04-	6Jx15	4/114.3/46/67	86,99	107,00	7960	425318
Lancer	11.07-	6½Jx16	5/114.3/46/67	94,31	116,00	9228	442887
Carisma	9.99-12.04	6Jx15	4/114.3/44/67	83,74	103,00	8270	404770
Grandis	4.04-	6½Jx16	5/114.3/46/67	115,45	142,00	8205	430416
Outlander	2.07-	6½Jx16	5/114.3/38/67	99,19	122,00	9407	438685

NISSAN

Pixo	7.09-	5½Jx14	4/100/45/54	64,23	79,00	5400	448716
Micra 1.0-1.2	4.03-	5Jx14	4/100/45/60.1	68,29	84,00	5820	420415
Micra 1.4	4.03-	5½Jx15	4/100/50/60.1	78,86	97,00	8305	420416
Micra 1.0	2.93-2.03	5Jx13	4/100/45/59	68,29	84,00	3900	404658
Almera	5.00-	6Jx15	4/114.3/45/66	82,93	102,00	8410	404775
Almera	3.98-5.00	6JJx14	4/100/40/59	80,49	99,00	6950	404739
Tiida	8.07-	5½Jx15	4/114.3/40/66	77,24	95,00	7730	442888
Note	3.06-	5½Jx15	4/100/45/60.1	78,86	97,00	6775	433923
Primera	4.02-3.07	6½Jx16	5/114.3/40/66	93,50	115,00	9735	415660
Primera	10.96-3.02	6Jx15	4/114.3/45/66	82,93	102,00	8410	404775
Maxima QX	3.95-12.04	6Jx15	5/114.3/40/66	121,14	149,00	8460	404777
Qashqai (ei +2)	2.07-	6½Jx16	5/114.3/40/66	89,43	110,00	7855	439073
Pathfinder / Navara	5.05-	7Jx16	6/114.3/30/66	141,46	174,00	7920	433924
Primastar	4.03-	6Jx16	5/118/50/71	93,50	115,00	9506	449036
Interstar	4.03-	6Jx16	5/130/66/89	99,19	122,00	9495	425323
NV200	3.10-	5½JJx14	4/114.3/45/66	74,80	92,00	6375	451392

Kaikki KFZ-levypyörät ovat TÜV-hyväksytyjä (toimitamme tarvittaessa hyväksymistodistuksen)

7





Auto ja tyyppi		Vanne- koko	Kiinnitysreiät/ Reikäpiiri/Offset/ Keskireikä	Hinta Euro (Alv 0%)	Hinta Euro (Alv 23%)	Valm. tunnus	Tilau- numero
----------------	--	----------------	---	---------------------------	----------------------------	-----------------	------------------

OPEL

Corsa-D	9.06-	6Jx15	4/100/39/56.5	66,67	82,00	6445	433925
Corsa-C	1.01-8.06	5½Jx14	4/100/49/56.5	56,10	69,00	6790	409122
Corsa-C	1.01-8.06	6Jx15	4/100/49/56.5	70,73	87,00	8390	404774
Corsa-C 1.7 CDTI	7.03-8.06	6Jx15	5/110/49/65	73,17	90,00	8060	404757
Combo-C Tour/Tavara-auto	6.02-	6Jx15	4/100/49/56.5	80,49	99,00	8375	425393
Combo-C Tour/Tavara-auto	6.02-	6Jx15	5/110/49/65	73,17	90,00	8060	404757
Astra-J 1.3 CDTI / 1.4 EcoFlex / 1.6 / 1.4 Turbo	9.09-	6½Jx16	5/105/39/56.6	82,93	102,00	9247	448766
Astra-J 1.6 Turbo / 1.7CDTI / 2.0CDTI	9.09-	6½Jx16	5/115/41/70.3	82,93	102,00	9327	448767
Astra-H	4.04-	6½Jx15	4/100/35/56.5	75,61	93,00	8365	425320
Astra-H	4.04-	6½Jx15	5/110/35/65	69,92	86,00	9245	415661
Astra-H	4.04-	6½Jx16	5/110/37/65	88,62	109,00	9045	425322
Astra-G 1.6 / 1.7TD	4.98-3.04	6Jx15	4/100/49/56.5	70,73	87,00	8390	404774
Astra-G 1.8 / 2.0i / 2.0D	4.98-3.04	6Jx15	5/110/49/65	73,17	90,00	8060	404757
Astra/ Tigra (11.94-12.00)	9.91-3.98	5½Jx14	4/100/49/56.5	60,16	74,00	6785	404834
Vectra-C/Signum	4.02-	6½Jx15	5/110/35/65	69,92	86,00	9245	415661
Vectra-C Wagon/GTS/Signum	9.02-	6½Jx16	5/110/41/65	89,43	110,00	9455	416129
Vectra-B1.6i / 1.8i / 1.7TD / 2.0i / 2.5iV6	11.95-3.02	6Jx15	5/110/49/65	73,17	90,00	8060	404757
Vectra-B1.6/1.8	9.96-3.02	6Jx15	4/100/49/56.5	70,73	87,00	8390	404774
Vectra-A / Calibra (9.92-9.97)	9.92-10.95	5½Jx14	4/100/49/56.5	60,16	74,00	6785	404834
Insignia / Insignia Sport Tourer	10.08-	6½Jx16	5/120/41/67	82,93	102,00	9623	442889
Meriva	4.03-	6Jx15	4/100/43/56.5	71,54	88,00	6435	420418
Zafira-B	8.05-	6½Jx15	5/110/35/65	69,92	86,00	9245	415661
Zafira-B	8.05-	6½Jx16	5/110/37/65	88,62	109,00	9045	425322
Antara	3.07-	6½Jx16	5/115/46/70.3	118,70	146,00	7885	433934
Vivaro	1.03-	6Jx16	5/118/50/71	93,50	115,00	9506	449036
Movano	8.00-	6Jx16	5/130/66/89	99,19	122,00	9495	425323

PEUGEOT

107	8.05-	4½Jx14	4/100/39/54	63,41	78,00	4940	429229
1007	5.05-	5½Jx14	4/108/24/65	59,35	73,00	6215	415655
1007	5.05-	6Jx15	4/108/27/65	73,17	90,00	8690	412289
206 / 206+	10.98-	5½Jx14	4/108/34/65	59,35	73,00	5990	404715
206 / 206+	8.00-	6Jx15	4/108/27/65	73,17	90,00	8690	412289
207	6.06-	6Jx15	4/108/23/65	70,73	87,00	8055	433930
207	6.06-	6Jx16	4/108/27/65	84,55	104,00	7845	435438
306 1.8 / 1.9D	4.97-2.01	5½Jx14	4/108/24/65	60,98	75,00	6070	404721
307	9.01-	6Jx15	4/108/27/65	73,17	90,00	8690	412289
307	9.01-	6½Jx16	4/108/31/65	85,37	105,00	9695	413920
308	10.07-	6½Jx15	4/108/27/65	72,36	89,00	7815	439736
308	10.07-	7Jx16	4/108/32/65	86,99	107,00	9783	439737
3008	9.09-	7½J x 17	4/108/29/65	111,38	137,00	9943	451393
406 2.0 / 1.9-2.0TD	11.95-3.04	6Jx15	4/108/18/65	73,17	90,00	8470	404778





Auto ja tyyppi		Vanne- koko	Kiinnitysreiät/ Reikäpiiri/Offset/ Keskireikä	Hinta Euro (Alv 0%)	Hinta Euro (Alv 23%)	Valm. tunnus	Tilau- numero
407	7.04-	6½Jx16	5/108/44/65	90,24	111,00	9305	425329
4007	9.07-	6½Jx16	5/114.3/38/67	99,19	122,00	9407	438685
5008	11.09-	7Jx16	4/108/29/65	84,55	104,00	5008	449878
Bibber	2.08-	5½Jx14	4/98/44/58	63,41	78,00	6805	442882
Bibber	2.08-	6Jx15	4/98/44/58	73,17	90,00	7680	439190
Expert II	2.07-	6½Jx15	5/108/38/65	92,68	114,00	7670	439070
Expert II	2.07-	7Jx16	5/108/42/65	99,19	122,00	7780	439071
Expert	3.04-1.07	6½Jx15	5/98/31/58	92,68	114,00	9385	421241
807	9.02-	6½Jx15	5/98/27/58	92,68	114,00	9375	416125
Partner II	7.08-	6½Jx15	4/108/27/65	82,93	102,00	8477	438642
Partner II	7.08-	6½Jx16	4/108/26/65	84,55	104,00	7860	433813
Partner	1.01-	5½Jx14	4/108/24/65	65,04	80,00	6395	404730
Partner	1.01-	6Jx15	4/108/18/65	73,17	90,00	8475	412287
Boxer 330-333 (max akselik. 1900kg 215/70R15)	10.06-	6Jx15	5/118/68/71.1	89,43	110,00	8875	404858
Boxer 330-335 (max akselik. 2000kg 225/70R15)	10.06-	6Jx15	5/118/68/71.1	96,75	119,00	8775	413741
Boxer 440	10.06-	6Jx16	5/130/68/78.1	111,38	137,00	9601	439069
Boxer	95-9.06	6Jx15	5/118/68/71.1	89,43	110,00	8875	404858
Boxer	95-9.06	6Jx16	5/130/68/78.1	117,89	145,00	9600	404857

RENAULT

Twingo II	9.07-	5½Jx14	4/100/29/60	65,85	81,00	7320	439738
Twingo	10.00-8.07	5½Jx14	4/100/36/60	66,67	82,00	6530	404733
Twingo / Clio 3.93-9.98	7.98-	4.50Bx13	4/100/36/60	54,47	67,00	3440	404685
Clio	9.05-	6Jx15	4/100/50/60	81,30	100,00	7965	428076
Clio	10.98-8.05	5½Jx14	4/100/36/60	66,67	82,00	6530	404733
Clio	6.00-8.05	6Jx15	4/100/43/60	77,24	95,00	8175	404765
Modus	9.04-	6Jx15	4/100/50/60	81,30	100,00	7965	428076
Megane III / Scenic III	11.08-	6½Jx15	5/114.3/43/66	77,24	95,00	7305	443589
Megane III / Scenic III / Grand Scenic III	11.08-	6½Jx16	5/114.3/43/66	85,37	105,00	9563	443590
Megane II / Scenic II	10.02-12.08	6½Jx15	4/100/45/60	77,24	95,00	8715	416441
Megane II / Scenic II / Grand Scenic	10.02-12.08	6½Jx16	4/100/49/60	85,37	105,00	9985	416442
Megane II Scenic diesel	10.02-12.08	6½Jx16	5/108/49/60	86,99	107,00	7880	435439
Megane/Megane Break Scenic	10.98-5.03	6Jx15	4/100/43/60	77,24	95,00	8175	404765
Megane 1.6-2.0	11.95-10.02	5½Jx14	4/100/36/60	66,67	82,00	6530	404733
Laguna	10.07-	7Jx16	5/114.3/47/66	85,37	105,00	9583	439743
Laguna	3.01-9.07	6½Jx16	5/108/50/60	85,37	105,00	9435	415663
Espace / Grand Espace	10.02-	7Jx17	5/108/50/60	121,95	150,00	9135	428866
Kangoo II	1.08-	5½Jx14	4/100/45/60	70,73	87,00	6335	439740
Kangoo II	1.08-	6Jx15	5/108/44/60	82,11	101,00	7215	439739
Trafic	10.01-	6Jx16	5/118/50/71	93,50	115,00	9506	449036
Master	8.00-	6Jx16	5/130/66/89	99,19	122,00	9495	425323
Master	11.09-	6½Jx16	5/130/66/89	96,75	119,00	9133	451394
Master	11.09-	7Jx16	5/130/66/89	97,56	120,00	9367	451395

Kaikki KFZ-levypyörät ovat TÜV-hyväksytyjä (toimitamme tarvittaessa hyväksymistodistuksen)

9





Auto ja tyyppi		Vanne- koko	Kiinnitysreiät/ Reikäpiiri/Offset/ Keskireikä	Hinta Euro (Alv 0%)	Hinta Euro (Alv 23%)	Valm. tunnus	Tilau- numero
----------------	--	----------------	---	---------------------------	----------------------------	-----------------	------------------

SAAB

9-3	9.02-	6½Jx15	5/110/41/65	78,05	96,00	9345	416128
9-3	9.02-	6½Jx16	5/110/41/65	89,43	110,00	9455	416129
9-5	10.09-	6½Jx16	5/120/41/67	82,93	102,00	9623	442889
9-3 (3.98-8.02) / 9-5 (9.97-9.09) / 900 (10.96-2.98)		6Jx15	5/110/49/65	81,30	100,00	8625	404780
9000	85-12.98	6Jx15	4/108/33/65	77,24	95,00	8730	404813

SEAT

Ibiza	6.08-	6Jx15	5/100/38/57	69,92	86,00	7760	442891
Ibiza 5.02-5.08 / Cordoba II 03-		5Jx14	5/100/35/57	56,10	69,00	5210	404710
Ibiza 5.02-5.08 / Cordoba II 03-		6Jx14	5/100/43/57	59,35	73,00	7280	404749
Ibiza 5.02-5.08 / Cordoba II 03-		6Jx15	5/100/43/57	70,73	87,00	9545	444259
Ibiza 7.93-4.03 / Cordoba 9.91-03	7.93-4.02	6Jx14	4/100/38/57	72,36	89,00	7200	404832
Toledo III	12.04-	6½Jx16	5/112/50/57	79,67	98,00	9915	420419
Leon II	10.08-	6Jx15	5/112/47/57	64,23	79,00	9165	420420
Leon II	9.05-	6Jx16	5/112/50/57	75,61	93,00	9535	421237
Leon II	9.05-	6½Jx16	5/112/50/57	79,67	98,00	9915	420419
Toledo II, Leon	5.99-11.04	6Jx14	5/100/38/57	70,73	87,00	7600	404752
Toledo II, Leon	5.99-11.04	6Jx15	5/100/38/57	70,73	87,00	8380	404773
Toledo	5.91-6.99	6Jx14	4/100/38/57	72,36	89,00	7200	404832
Altea / Altea XL	6.04-	6½Jx16	5/112/50/57	79,67	98,00	9915	420419
Exeo	3.09-	7Jx16	5/112/45/57	82,93	102,00	9257	444258
Alhambra	8.00-	6Jx16	5/112/53/57	89,43	110,00	9845	412288

SKODA

Fabia II	5.07-	6Jx15	5/100/43/57	67,48	83,00	8000	413781
Fabia	12.99-4.07	5Jx14	5/100/35/57	56,10	69,00	5210	404710
Fabia	12.99-4.07	6Jx14	5/100/43/57	59,35	73,00	7280	404749
Octavia II	6.04-	6Jx15	5/112/47/57	64,23	79,00	9165	420420
Octavia II	6.04-	6Jx16	5/112/50/57	75,61	93,00	9535	421237
Octavia II	6.04-	6½Jx16	5/112/50/57	79,67	98,00	9915	420419
Octavia	4.97- 9.04	6Jx14	5/100/38/57	70,73	87,00	7600	404752
Octavia	4.97- 9.04	6Jx15	5/100/38/57	70,73	87,00	8380	404773
Superb	9.08-	7Jx16	5/112/45/57	82,93	102,00	9257	444258
Superb	01.02-8.08	7Jx16	5/112/37/57	102,44	126,00	9925	413782
Roomster	6.06-	6Jx15	5/100/43/57	67,48	83,00	8000	413781
Yeti	10.09-	6Jx16	5/112/50/57	75,61	93,00	9535	421237

SMART

Fortwo	4.07-	4½Jx15	3/112/23.5/57	69,11	85,00	7820	439194
Fortwo	4.07-	5½Jx15	3/112/22/57	69,92	86,00	7830	439735

10 Kaikki KFZ-levypyörät ovat TÜV-hyväksytyjä (toimitamme tarvittaessa hyväksymistodistuksen)





Auto ja tyyppi		Vanne- koko	Kiinnitysreiät/ Reikäpiiri/Offset/ Keskireikä	Hinta Euro (Alv 0%)	Hinta Euro (Alv 23%)	Valm. tunnus	Tilau- numero
----------------	--	----------------	---	---------------------------	----------------------------	-----------------	------------------

Forfour	4.04-7.06	5½Jx14	4/114.3/46/67	72,36	89,00	6670	425316
Forfour	4.04-7.06	6Jx15	4/114.3/46/67	86,99	107,00	7960	425318

SUBARU

Forester	4.08-	6½Jx16	5/100/48/56	107,32	132,00	9552	447625
----------	-------	--------	-------------	--------	---------------	------	---------------

SUZUKI

Alto	4.09-	5½Jx14	4/100/45/54	64,23	79,00	5400	448716
Alto	5.02-8.05	4½Jx13	4/100/45/54	72,36	89,00	2230	416185
Swift	5.05-	5Jx14	4/100/45/54	65,04	80,00	5155	429228
Swift	1.10-	5Jx15	4/100/40/54	76,42	94,00	6735	451396
Splash	5.08-	5Jx14	4/100/45/54	65,04	80,00	5155	429228
SX4	5.06-	6Jx16	5/114.3/50/60	85,37	105,00	8315	433932
Grand Vitara	10.05-	6½Jx16	5/114.3/45/60	164,23	202,00	8295	430881
Grand Vitara	5.98-12.05	7Jx16	5/139.7/5/108.5	166,67	205,00	9880	404880

TOYOTA

iQ		5Jx15	4/100/45/54	79,67	98,00	7640	443672
Aygo	9.05-	4½Jx14	4/100/39/54	63,41	78,00	4940	429229
Yaris	1.06-	5½Jx15	4/100/45/54	77,24	95,00	7890	429231
Yaris / Yaris Verso	4.99-12.05	5½Jx14	4/100/45/54	69,11	85,00	7010	404744
Auris	3.07-	6½Jx16	5/114.3/45/60	90,24	111,00	7865	437109
Urban Cruiser	4.09-	6Jx16	5/100/39/54	92,68	114,00	9737	446947
Corolla	2.07-	6½Jx16	5/114.3/45/60	90,24	111,00	7865	437109
Corolla	1.02-2.07	5½Jx14	4/100/39/54	60,98	75,00	7015	415037
Corolla	1.02-	6Jx15	4/100/45/54	79,67	98,00	9145	415035
Verso	5.09-	6½Jx16	5/114.3/39/60	91,06	112,00	7625	443671
Corolla Verso	5.04-	6½Jx16	5/114.3/45/60	93,50	115,00	9265	425328
Corolla Verso	1.02-5.04	6Jx15	4/100/45/54	79,67	98,00	9285	415036
Corolla (musta)	8.97-1.01	5½Jx14	4/100/39/54	73,17	90,00	6850	404737
Corolla (musta)	8.92-1.01	5½Jx14	4/100/45/54	73,17	90,00	6745	404667
Avensis	1.09-	6½Jx16	5/114.3/39/60	91,06	112,00	7625	443671
Avensis	4.03-	6½Jx16	5/100/45/54	94,31	116,00	9955	420414
Avensis 2.2 D-4D	7.05-	6½Jx16	5/114.3/45/60	94,31	116,00	8015	430418
Avensis	9.00-3.03	6Jx15	5/100/39/54	83,74	103,00	8435	409124
Hiace	11.95-	5½Jx15	6/139.7/29/67	104,88	129,00	8370	404864
Hiace 4WD	11.95-	6Jx15	6/139.7/30/106	153,66	189,00	8070	404867
Rav 4	1.06-	6½Jx16	5/114.3/45/60	114,63	141,00	8225	431929





Auto ja tyyppi	Vanne- koko	Kiinnitysreiät/ Reikäpiiri/Offset/ Keskireikä	Hinta Euro (Alv 0%)	Hinta Euro (Alv 23%)	Valm. tunnus	Tilau- numero
----------------	----------------	---	---------------------------	----------------------------	-----------------	------------------

VOLKSWAGEN

Polo V	5.09-	5Jx14	5/100/35/57	56,10	69,00	5210	404710
Polo V	5.09-	6Jx15	5/100/38/57	69,92	86,00	7760	442891
Polo IV	12.01-	5Jx14	5/100/35/57	56,10	69,00	5210	404710
Polo IV	12.01-	6Jx14	5/100/43/57	59,35	73,00	7280	404749
Polo	1.98-12.01	4½Jx13	4/100/35/57	52,85	65,00	3345	404684
Polo Classic/Variant	1.97-12.01	6Jx14	4/100/38/57	72,36	89,00	7200	404832
Golf VI	10.08-	6Jx15	5/112/47/57	64,23	79,00	9165	420420
Golf VI	10.08-	6½Jx16	5/112/50/57	79,67	98,00	9915	420419
Golf V/Touran/Golf Plus 2.05-/Variant 5.07-	12.03-	6Jx15	5/112/47/57	64,23	79,00	9165	420420
Golf V/Touran/Golf Plus 2.05-/Variant 5.07-	12.03-	6½Jx16	5/112/50/57	79,67	98,00	9915	420419
Golf V GTI	10.04-	6Jx16	5/112/50/57	75,61	93,00	9535	421237
Golf IV/Bora	10.97-11.03	6Jx14	5/100/38/57	70,73	87,00	7600	404752
Golf IV/Bora/Variant	10.97-4.07	6Jx15	5/100/38/57	70,73	87,00	8380	404773
Golf III	9.91-9.97	5½Jx13	4/100/38/57	62,60	77,00	4710	404825
Golf III /Vento	9.93-9.97	6Jx14	4/100/45/57	71,54	88,00	7500	404838
Golf III /Vento	9.91-8.97	6Jx14	4/100/45/57	71,54	88,00	7300	404837
Jetta	9.05-	6½Jx16	5/112/50/57	79,67	98,00	9915	420419
Eos	5.06-	6½Jx16	5/112/42/57	78,05	96,00	8425	429232
Passat	5.05-	6½Jx16	5/112/42/57	78,05	96,00	8425	429232
Passat	11.00-2.05	7Jx16	5/112/37/57	102,44	126,00	9925	413782
Passat	11.00-2.05	6Jx15	5/112/37/57	71,54	88,00	8955	409127
Passat	10.96-10.00	6Jx15	5/112/45/57	71,54	88,00	8860	404850
Passat	04.88-9.96	6Jx14	4/100/38/57	73,17	90,00	7080	404830
Caddy/Caddy Life/Caddy Maxi	1.08-	6Jx16	5/112/50/57	87,80	108,00	9702	442890
Caddy Life	12.03-	6Jx15	5/112/47/57	64,23	79,00	9165	420420
Caddy	12.03-	6Jx15	5/112/47/57	77,24	95,00	8385	425261
Tiguan	12.07-	6½Jx16	5/112/33/57	86,18	106,00	9922	439074
Sharan	7.00-	6Jx16	5/112/53/57	89,43	110,00	9845	412288
Touareg VR5-TDI	1.03-	7Jx16	5/120/54/65.1	134,15	165,00	9365	421299
Transporter T5 / Multivan	5.03-	6½Jx16	5/120/51/65.1	90,24	111,00	9685	421298
Transporter T5 2.0 TDI	5.03-	7Jx17	5/120/55/65.1	129,27	159,00	9215	449553
Transporter T4	01.96-4.03	6Jx15	5/112/55/57	83,74	103,00	8845	404784
LT28-35	2.00-4.06	6Jx15	5/130/75/84	91,06	112,00	8555	404873
LT 28-35	09.96-2.00	6Jx15	5/130/83/84	93,50	115,00	8445	404872
LT 46	09.96-4.06	5½Jx15	6/205/115/161	120,33	148,00	8360	404870
Crafter 30/35	5.06-	6½Jx16	6/130/62/84	96,75	119,00	9487	433920





Auto ja tyyppi		Vanne- koko	Kiinnitysreiät/ Reikäpiiri/Offset/ Keskireikä	Hinta Euro (Alv 0%)	Hinta Euro (Alv 23%)	Valm. tunnus	Tilau- numero
----------------	--	----------------	---	---------------------------	----------------------------	-----------------	------------------

VOLVO

C30	10.06-	6Jx15	5/108/46/63.3	85,37	105,00	7995	424600
C30	10.06-	6½Jx16	5/108/52.5/63.3	94,31	116,00	9225	425324
S40/V50 1.6,1.8	1.04-	6Jx15	5/108/46/63.3	85,37	105,00	7995	424600
S40/V50	1.04-	6½Jx16	5/108/52.5/63.3	94,31	116,00	9225	425324
S40/V40	04.96-12.03	6Jx15	4/114.3/44/67	83,74	103,00	8270	404770
740-760	1.84-9.90	6Jx15	5/108/25/65	85,37	105,00	8680	404679
940-960	10.90-10.96	6Jx15	5/108/25/65	85,37	105,00	8680	404679
V70/XC70	5.07-	7Jx16	5/108/50/63.3	99,19	122,00	8275	433933
S70/V70	1.97-2.00	6½Jx15	5/108/43/65	83,74	103,00	9560	404802
S60/S70/V70/V70-XC/C70/S90/V90		6½Jx16	5/108/43/65	98,37	121,00	9640	404803
S60/S90/V90		6½Jx15	5/108/43/65	83,74	103,00	9560	404802
S60	6.10-	7Jx16	5/108/50/63.3	95,08	116,00	8275	433933
S80	5.06-	7Jx16	5/108/50/63.3	99,19	122,00	8275	433933
S80	10.98-4.06	6½Jx15	5/108/43/65	83,74	103,00	9560	404802

PERÄVAUNUT

Kantavuus

575 kg/140 km/h	4.5Jx13	4/100/30/57	39,84	49,00	43107105	442868
775 kg/140 km/h	5½Jx14	4/100/30/57	50,00	61,50	43070108	442869
900 kg/140 km/h	5½Jx14	5/112/30/66.5	50,00	61,50	43072101	442870
900 kg/140 km/h	5½Jx15	5/112/30/66.5	56,50	69,50	43315104	442871
900 kg/140 km/h	6Jx15	5/112/30/66.5	73,17	90,00	43130104	442872





Vannekoko	Kantavuus kg	Keskir.	Pulttitil./ Ø mm Offset	Pulttir. tyyppi	Hinta Euro (Alv 0%)	Hinta Euro (Alv 23%)	Valm. tunnus	Tilaus- numero
-----------	-----------------	---------	-------------------------------	--------------------	---------------------------	----------------------------	-----------------	-------------------

KUORMA-AUTON JA PERÄVAUNUN LEVYPYÖRÄT

17.5 x 6.00 alive	1700	202	6/245/116	B 2 *	139,84	172,00	2870097	405580
17.5 x 6.00	1850	202	6/245/124.5	Ø 21	139,02	171,00	8477-5	405579
17.5 x 6.00	2725	176	10/225/121.5	B 33 *	139,02	171,00	8580	405581
17.5 x 6.00	2725	176	10/225/111,5	B 33 *	139,02	171,00	2870033	405394
17.5 x 6.75	1900	161	6/205/128	B 2 *	148,78	183,00	8483	405630
17.5 x 6.75 alive	2360	202	6/245/128.5	Ø 21	149,59	184,00	2870101	410707
17.5 x 6.75 alive	2000	202	6/245/128.5	B 2 *	149,59	184,00	2870099	405632
17.5 x 6.75 alive	2360	221	8/275/135.5	Ø 24	149,59	184,00	2870108	415543
17.5 x 6.75	3000	221	10/225/132.5	B 33 *	148,78	183,00	2870156	449570
17.5 x 6.75	2725	176	10/225/0	A 33 *	148,78	183,00	2870007	405635
19.5 x 6.75 alive	2430	221	8/275/134	Ø 24	178,05	219,00	2890163	445284
19.5 x 7.50	2725	221	8/275/138	B 33 *	177,24	218,00	2890016	405660
19.5 x 7.50	2800	221	8/275/142.5	Ø 24	177,24	218,00	8551	405658
19.5 x 7.50 alive	2800	221	8/275/143	B 3 *	178,05	219,00	2890114	405663
19.5 x 7.50 alive	2900	221	8/275/143	Ø 24	178,05	219,00	2890164	405401
19.5 x 7.50	2725	176	10/225/138.5	B 33 *	177,24	218,00	8590	405659
19.5 x 8.25	3350	221	8/275/146	B 33 *	192,68	237,00	2890017	405686
19.5 x 8.25 alive	3150	221	8/275/157.5	Ø 24	192,68	237,00	2890129	423556
19.5 x 8.25	3350	176	10/225/0	A 33 *	192,68	237,00	2890005	405688
19.5 x 8.25	3350	176	10/225/146.5	B 33 *	192,68	237,00	8595	405685
19.5 x 11.75 alive	4500	221	8/275/0	A 33 *	261,79	322,00	2890131	438575
19.5 x 14.00 alive	5150	221	8/275/0	Ø 24	286,99	353,00	2890115	405160
19.5 x 14.00 alive	4500	281	10/335/120	Ø 26	286,99	353,00	2890133	415471
22.5 x 7.50 alive	3250	221	8/275/140	Ø 24	195,93	241,00	2920558	430494
22.5 x 7.50	3150	281	10/335/148.5	B 37 *	195,12	240,00	2920221	405665
22.5 x 7.50 alive	3150	281	10/335/147.5	Ø 26	195,93	241,00	2920455	424758
22.5 x 8.25	3550	281	10/335/152	Ø 26	201,63	248,00	2920032	405689
22.5 x 8.25	3550	281	10/335/152	B 3 *	201,63	248,00	2920188	414601
22.5 x 8.25 alive	3550	281	10/335/152	Ø 26	202,44	249,00	2920386	405691
22.5 x 8.25	3550	281	10/335/154.5	B 37 *	201,63	248,00	2920191	405693
22.5 x 9.00	4000	281	10/335/161.5	Ø 26	199,19	245,00	2920163	405716
22.5 x 9.00 alive	4000	281	10/335/161	Ø 26	200,00	246,00	2920382	405718
22.5 x 9.00 alive (1 jäähd.aukko)	4000	281	10/335/161	Ø 26	200,00	246,00	2920595	446968
22.5 x 9.00	4000	281	10/335/161.5	B 33 *	199,19	245,00	2920202	405719
22.5 x 9.00	4000	281	10/335/0	Ø 26	199,19	245,00	2920199	405717
22.5 x 11.75 alive	4500	221	8/275/0	Ø 24	196,75	242,00	2920532	433094
22.5 x 11.75 alive	4500	281	10/335/0	A 33 *	196,75	242,00	2920522	405133
22.5 x 11.75 alive	4500	281	10/335/0	Ø 26	197,56	243,00	2920488	411595
22.5 x 11.75 alive	4500	281	10/335/34	B33*	215,45	265,00	2920524	415667
22.5 x 11.75 alive	4500	281	10/335/120	Ø 26	204,88	252,00	2920520	411697
22.5 x 11.75 alive	4500	281	10/335/135	Ø 26	216,26	266,00	2920521	411597





Vannekoko	Kantavuus kg	Keskir.	Pulttit./ Ø mm Offset	Pultin. tyyppi	Hinta Euro (Alv 0%)	Hinta Euro (Alv 23%)	Valm. tunnus	Tilaus- numero
22.5 x 13.00	5300	281	10/335/0	Ø 26	305,69	376,00	2920502	405151
22.5 x 13.00	5300	281	10/335/120	Ø 26	305,69	376,00	2920501	411288
22.5 x 14.00	5600	281	10/335/0	Ø 26	305,69	376,00	8440-2	405161

alive = levyjarrullinen, sisältää venttiilin.

LUKKOVANTEELLISET

8.5 - 20	3750	281	10/335/163	B 33 *	398,37	490,00	2700585	421162
8.5 - 24	4500	281	10/335/167	B3*	654,47	805,00	2740144	423986

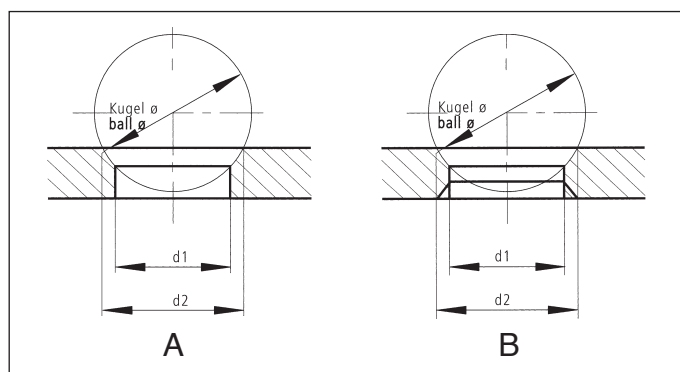
Ø Suora reikä mm = keskireikäkeskitys

* Keskitys = pulttireikä - ja keskireikäkeskitys

KUORMA-AUTON LEVYPYÖRÄT

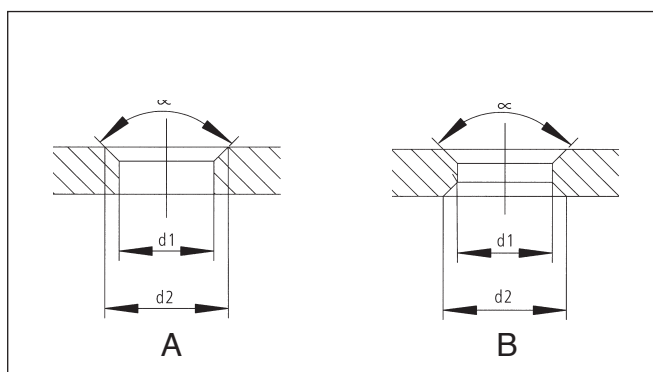
TEKNISIÄ TIETOJA

PALLOKANTAKIINNITYS



pultin.tyyppi	d1	d2	pallon halk.mm	kierre
A1, B1	18.5	24	28	M14x1.5
A2, B2	21.5	27	32	M18x1.5
A3, B3	27	32	36	M22x1.5 (M20x1.5)
A33,B33	26	32	36	M22x1.5 (M20x1.5)

KARTIOKIINNITYS



pultin.tyyppi	d1	d2	kulma α	kierre
A17, B17	25.4	31	80°	7/8"
A37,B37	26	31	80°	7/8"



BRIDGESTONE FINLAND OY
Korpivaarantie 1 - PL 22
01451 VANTAA

PUHELIN
0207 936 200

FAKSI
0207 936 296

ASIAKASPALVELU

Sähköposti: tilaus@bridgestone.eu

Ari Niiranen

0207 936 201

Niko Tervonen

0207 936 202

Asiakaspalvelupäällikkö Mika Vuorinen

0207 936 209

MYYNTI

Henkilö- ja tavara-auton renkaat

0207 936 295

Myyntipäällikkö Tommi Helikari

0207 936 219

Myyntipäällikkö Veikko Aaltonen (First Stop)

0207 936 214

Avainasiakaspäällikkö Kaj Hirvaskari (autokauppa)

0207 936 215

Aluemyyntipäällikkö Jani Pihlajamaa (Pohjois-Suomi)

0207 936 218

Aluemyyntipäällikkö Tero Kallio (Itä-Suomi)

0207 936 211

Aluemyyntipäällikkö Sami Hyytiäinen (Länsi-Suomi)

0207 936 212

Aluemyyntipäällikkö Ilkka Laine (Etelä-Suomi)

0207 936 210

Raskaan kaluston renkaat

0207 936 295

Myyntipäällikkö Jussi Huhta

0207 936 229

Truck Point -päällikkö Tuomas Virén

0207 936 223

Avainasiakaspäällikkö Jouni Kalpio

0207 936 222

Aluemyyntipäällikkö Petri Äikäs (Etelä-Suomi)

0207 936 225

Aluemyyntipäällikkö Mika Sunisto (Länsi-Suomi)

0207 936 220

Aluemyyntipäällikkö Tero Tarvainen (Itä-Suomi)

0207 936 221

Aluemyyntipäällikkö Jani Pihlajamaa (Pohjois-Suomi)

0207 936 218

MARKKINOINTI

0207 936 295

Viestintäpäällikkö Auli Kähkönen

0207 936 230

Tuotepäällikkö Rauli Kotta (erikoisvanteet, levypyörät)

0207 936 217

Tuotepäällikkö Janne Ulmanen (raskaan kaluston renkaat)

0207 936 224

Tuotepäällikkö Lasse Wirama (ha-, ta- ja mp-renkaat)

0207 936 216

TEKNINEN ASIAKASPALVELU

0207 936 295

Tekninen päällikkö Kai Niemi

0207 936 269

Tekninen asiakaspalvelu Jari Salin

0207 936 260

TALOUS

0207 936 295

Laskentakoordinaattori Janne Koskelin

0207 936 241

Myyntireskontra: Lea Mattsson

0207 936 240